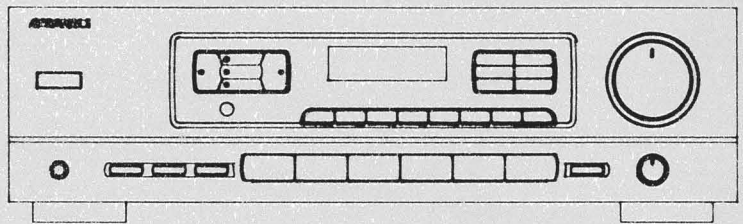



RZ-2900 STEREO RECEIVER



CAUTION

1. Parts identified by the  symbol on the schematic diagram and the parts list are critical for safety. Use only replacement parts that have critical characteristics recommended by the manufacturer.
2. Make leakage-current or resistance measurements to determine that exposed parts are acceptably insulated from the supply circuit before returning the appliance to the customer.

NOTICE

1. The symbols UL, CSA, EU, FTZ, SS, XX <EXPORT> on the parts list and the schematic diagram mean followings respectively.

UL Manufactured for U.S.A. market.
(Underwriters Laboratories approved model)
CSA Manufactured for Canadian market.
EU Manufactured for European market.
FTZ Manufactured for German market.
SS Manufactured for Saudi Arabian market.
XX Standard Version.
<EXPORT>
NON MARK Common Parts.

2. Some printed circuit boards are not supplied assembled. To separate these in this service manual, the stock numbers are not indicated for these boards. However, stock numbers for individual parts are indicated.

3. Since some capacitors and resistors are omitted from parts lists in this service manual, refer to the Common Parts List for capacitors and resistors, which was issued on October 1991.

4. Abbreviations in this service manual are as follows:

Abbreviations List

C.R.: Carbon Resistor
S.R.: Solid Resistor
N.I.R.: Non-Inflammable Resistor
C.C.: Ceramic Capacitor
E.C.: Electrolytic Capacitor
E.L.: Low Leak Electrolytic Capacitor
V.R.: Variable Resistor

Specifications

Tuner Section

Tuning range AM: 522KHz/1611KHz (Step 9KHz)
530KHz/1720KHz (Step 10KHz)
FM: 87.5MHz/108MHz
Intermediate frequency AM: 450KHz
FM: 10.7MHz

Amplifier Section

Total harmonic distortion at (1KHz) 0.2%
Signal-to-noise ratio 77dB

Power output

Min RMS both channels driven, from 40Hz to 20KHz with no more than 1% total harmonic distortion. 40 watts per channel into 8 ohms.

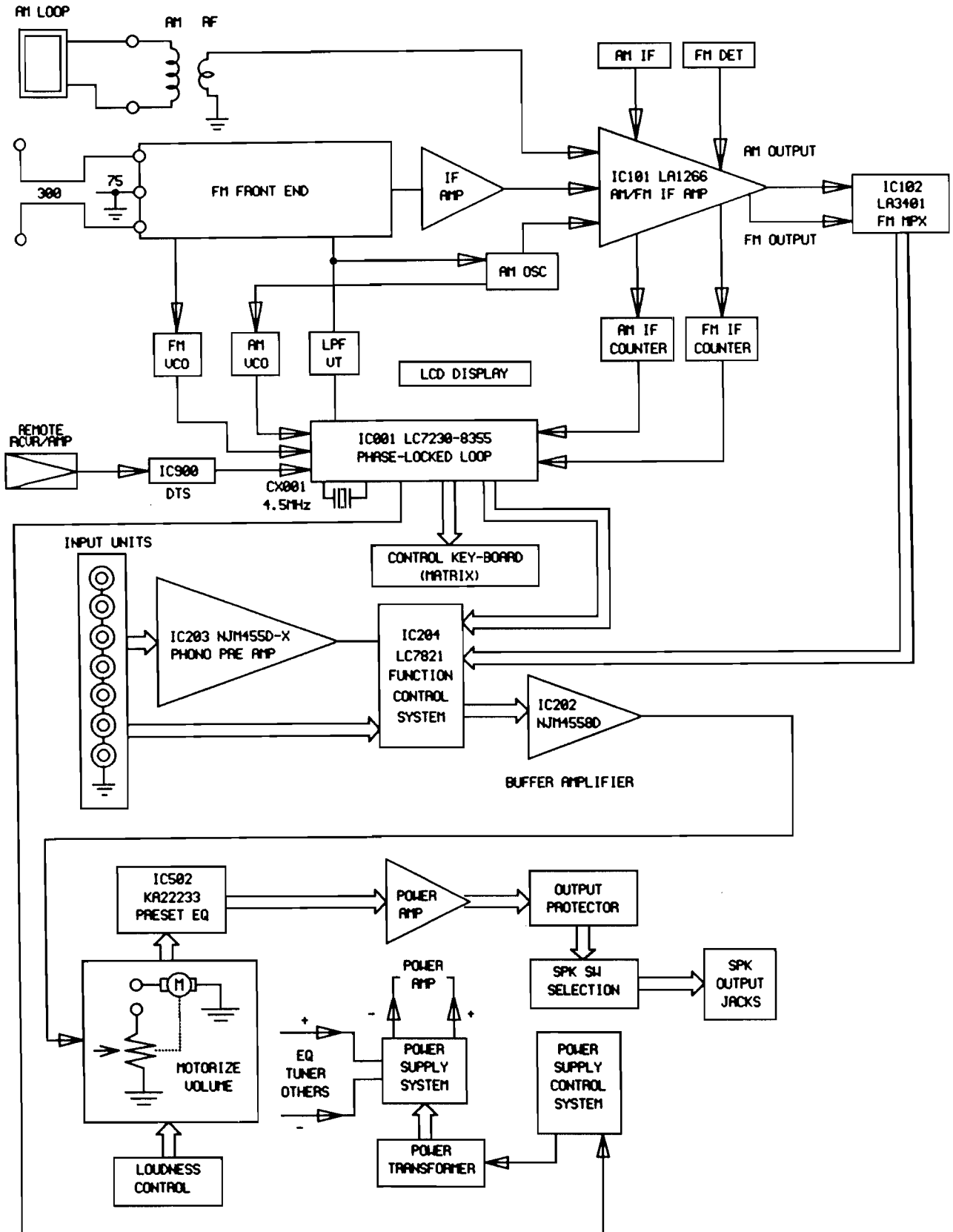
Power requirements AC 120V/220V/240V
For USA and Canada AC 120V/60Hz
Power consumption 350 watts 230VA
Dimensions 430 mm (16-15/16")W
127 mm (5")H
295 mm (11-5/8")D
Weight 6.0kgs (13.2 lbs)

Design and specifications subject to changes without notice for improvements.

Due to local laws and regulations, this unit sold in some areas are not equipped with variable voltage selectors.

RZ-2900

1. BLOCK DIAGRAM



2. ADJUSTMENTS (See Fig. 2-2 Adjustment points on page 4)

Adjustment Conditions

EQUIPMENT REQUIRED

1. AM Signal generator
2. FM Signal generator
3. DC meter
4. Oscilloscope (2-channel)
5. VTVM
6. Distortion meter
7. Attenuator

AM/FM:

1. Signal input must be as low as possible to avoid saturation of the RF circuitry.
2. Balance and tone control, at mechanical center.
3. AM standard signal: 400Hz, 30% modulation at 1MHz.
4. FM standard signal: 1KHz, 75KHz deviation at 98MHz.

AMPLIFIER:

1. Volume control to minimum position of 2V output as specified.
2. Balance and tone controls, at mechanical center.
3. Connect 8 ohm load across speaker jack.

TUNER ADJUSTMENT PROCEDURES

1. AM IF ALIGNMENT

- a. AM IF sweep generator connected to a standard radiating loop.
- b. IF signal input from L101 ant. terminals.
- c. Oscilloscope connected to TP7 and TP5 (GND).
- d. Adjust T101, waveform as shown in Fig. 2-1.

2. FM IF ALIGNMENT

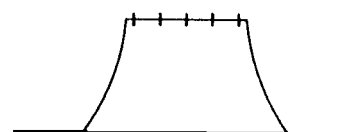
- a. FM signal generator connected to Ext. Ant. terminals.
- b. Frequency setting to 87.5MHz.
- c. DC meter connected to TP3 and TP4.
- d. Adjust T102, to get 0.0V on DC meter.

3. AM RF ALIGNMENT

- a. AM signal generator connected to a standard radiating loop.
- b. Signal generator frequency set to 530KHz.
- c. Frequency setting to lowest frequency.
- d. DC meter connected across TP1 and TP2 (GND).
- e. Adjust L102, to get $1.2V \pm 0.05V$ on DC meter.
- f. Signal generator frequency set to 1720KHz.
- g. Frequency setting to highest frequency.
- h. Adjust TC102, to get $9V \pm 0.05V$ on DC meter.
- i. Repeat adjustments as necessary to minimize tracking error.

4. AM SENSITIVITY ALIGNMENT

- a. AM signal generator connected to a standard radiating loop.
- b. Signal generator set to 600KHz.
- c. Frequency setting to 600KHz.
- d. VTVM across speaker load.
- e. Adjust L101 for maximum output.
- f. Signal generator set to 1400KHz.
- g. Frequency setting to 1400KHz.
- h. Adjust TC101 for maximum output.
- i. Repeat adjustments as necessary to minimum tracking error.



IF BW \cong 10kHz

Fig. 2-1

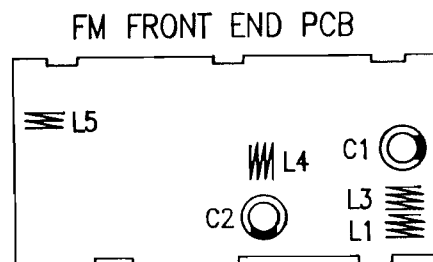
RZ-2900

5. FM RF ALIGNMENT

- FM signal generator connected to ext. ant. terminal.
- Signal generator frequency set to 87.9MHz.
- Frequency setting to 87.9MHz.
- DC meter connected to TP1 and TP2 \ominus .
- Adjust L5, to get $1.7V \pm 0.5V$ on DC meter.
- Signal generator frequency set to 107.9MHz.
- Frequency setting to 107.9MHz.
- Check $V_T = 8V \pm 0.5V$.
- Repeat adjustments as necessary to minimize tracking error.

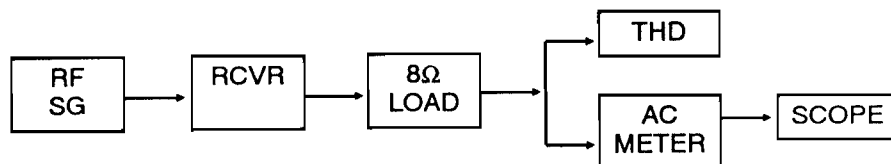
6. FM SENSITIVITY ALIGNMENT

- FM signal generator connected to Ext. Ant. terminal.
- Signal generator set to 90MHz.
- Frequency setting to 90MHz.
- VTVM across speaker load.
- Adjust (L1 and L3 and L4) for maximum output.
- Signal generator set to 106MHz.
- Frequency setting to 106MHz.
- Adjust C1 and C2 for maximum output.
- Repeat adjustments as necessary to minimize tracking error.



7. FM T.H.D. ADJUSTMENT

- The instruments system block connected as follows:



- FM signal generator set at 98.1MHz/75KHz dev. with 1KHz modulation and 1mV output. Connect generator to Ext. Antenna terminal of receiver.
- Set receiver to FM band and adjust vol. control to get 2V (500mW W/8Ω load) output at speaker terminal.
- Connect DC meter across TP3 and TP4.
- Adjust T102 to get 0V on DC meter.
- Adjust T103 to get min. THD (1%).
- Repeat item 6 to get minimum THD at 0V across TP3/TP4.

8. FM AUTO TUNING SENSITIVITY ADJUSTMENT

(FM MODE SET TO AUTO, AUTO/MANU SET TO AUTO SCAN)

- FM signal generator connected to Ext. Ant terminals.
- Signal generator set to 98MHz, 26dB.
- Adjust SFR102, to lock at 26dB.

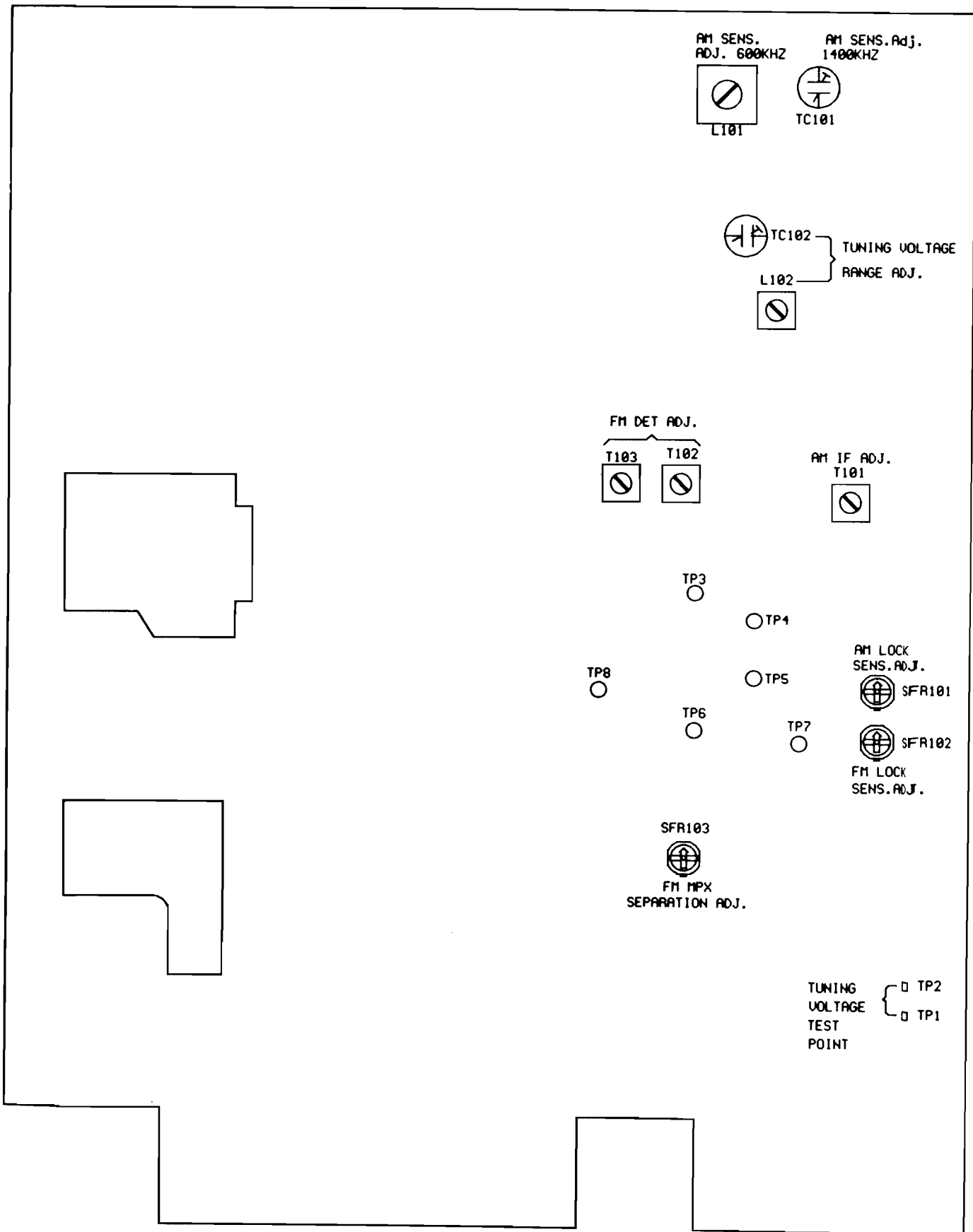
9. AM AUTO TUNING SENSITIVITY ADJUSTMENT

- AM signal generator connected to a standard radiating loop.
- Signal generator set to 1000KHz, 60dB.
- DC meter connected across TP8 and TP5 (GND).
- Adjust SFR101 to lock at 58dB, $\pm 8dB$. (DC meter reading change from 5V to 0.03V)

10. MPX SEPARATION ADJUSTMENT

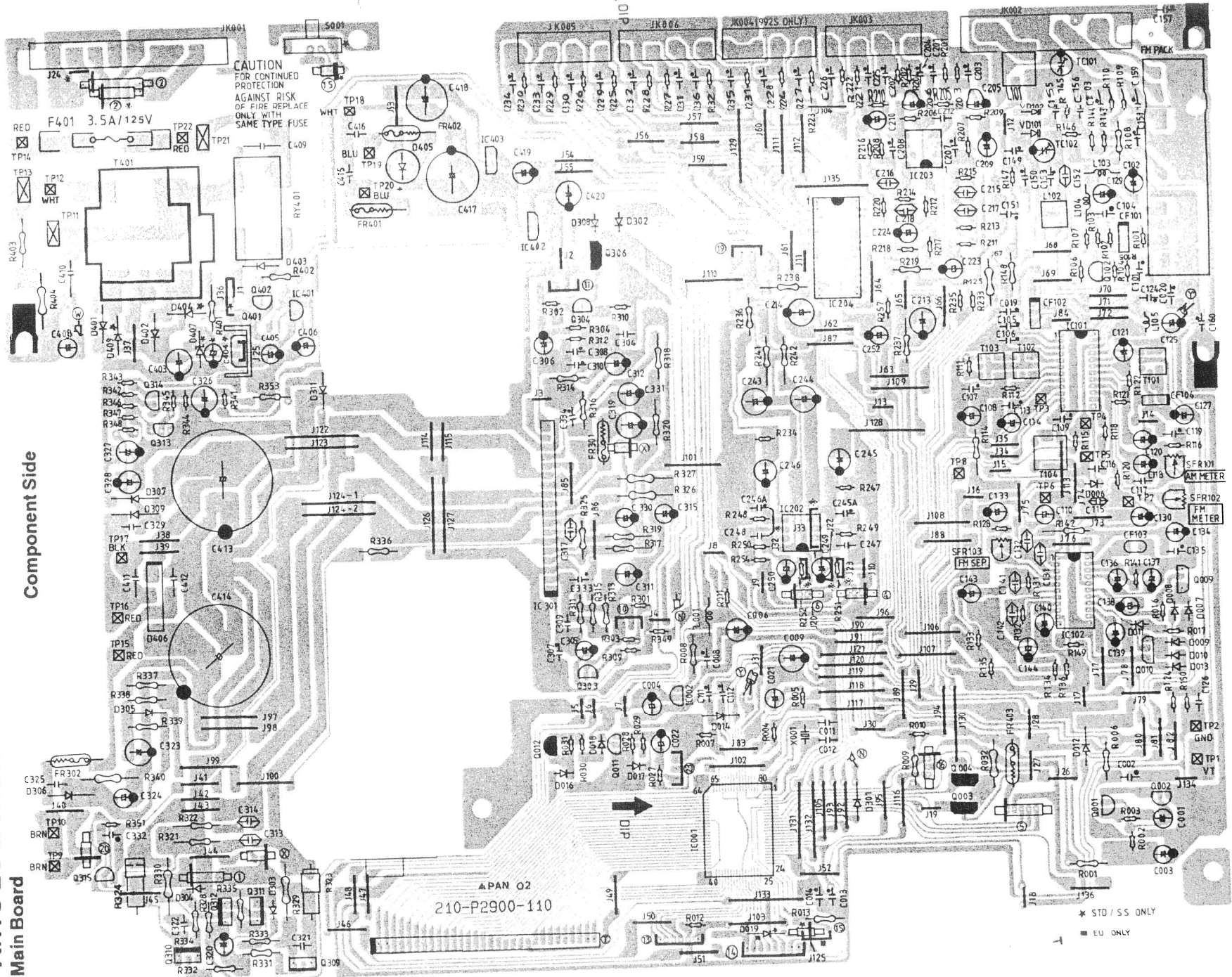
- FM signal generator connected to Ext. Ant. terminals.
- Signal generator set to 98MHz, Ext. DEV. = 60dB.
- Adjust SFR103, to let R/L channels separation be over 30dB.

Fig. 2-2 Adjustment points on main board

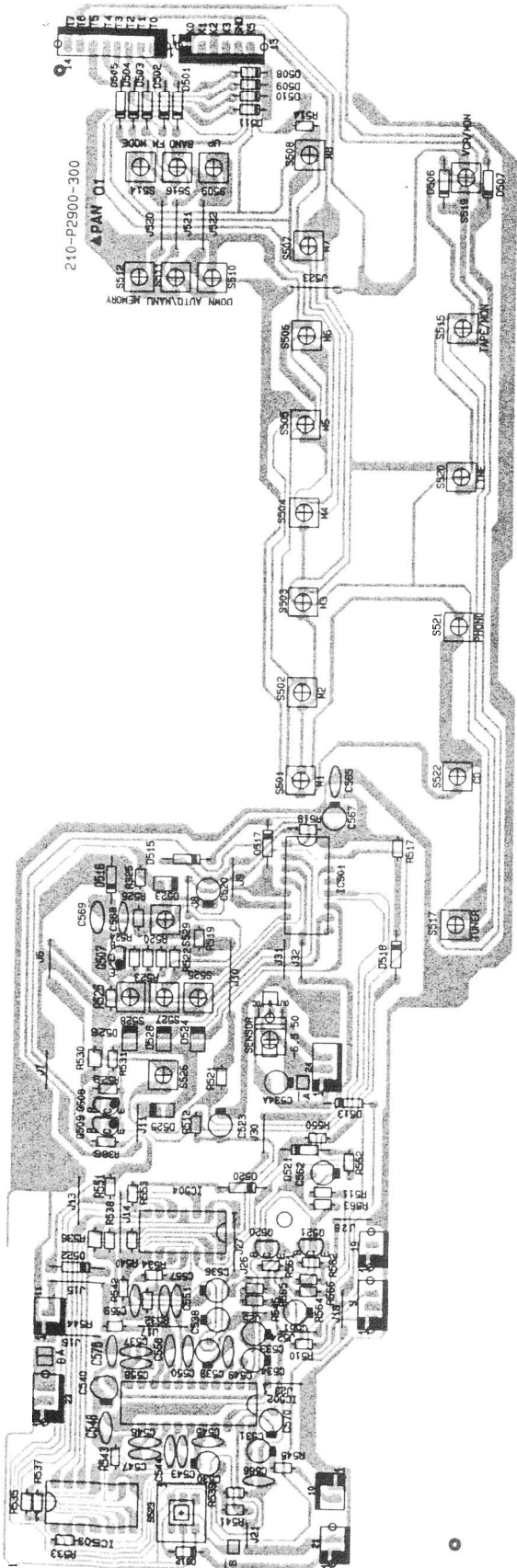


RZ-2900

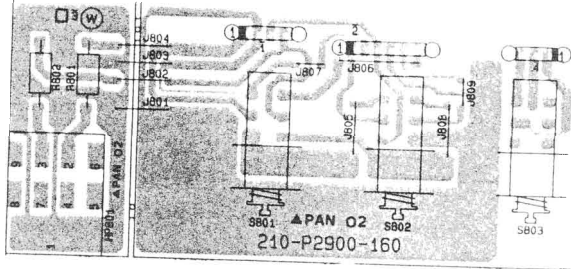
3. PARTS LOCATION ON BOARD 3-1. Main Board



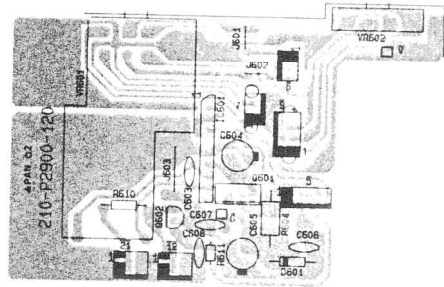
3-2. Preset EQ Board
Component Side



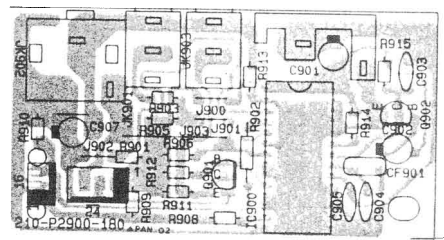
3-3. Speaker Sw Board
Component Side



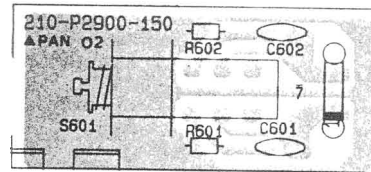
3-4. Volume Resistor Board
Component Side



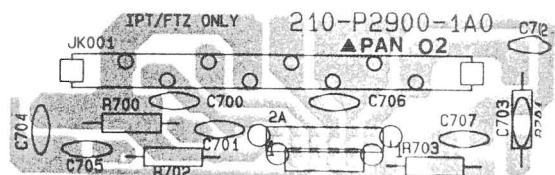
3-5. DTS Board
Component Side



3-6. Loudness Board
Component Side



3-7. Speaker Terminal Board
Component Side



4. PARTS LIST OF BOARD

4-1. FM Front End Board (Ass'y No. 209-FM2900)

Ref. No.	Part No.	Description
* Trimmer		
C1,2	125-611006	Trimmer 10P
* Coil		
L1	148-S007045035	Spring Coil 0.7x4.5Qx3.5T
L3	148-L007040045	Spring Coil 0.7x4.0Qx4.5T
L4	148-L007040035	Spring Coil 0.7x4.0Qx3.5T
L5	148-L005540035	Spring Coil 0.55x4.0Qx3.5T
T1	219-215301	FM IFT TWS-358-412
* Diode		
D1-3	157-D31SV103	1SV103-B
* IC		
IC1	160-H3A1186N	LA1186N SANYO
* Transistor		
Q1	170-H23K192AY	2SK192A-Y TOSHIBA
Q2	170-H571674L	2SC1674L NEC

4-2. Preset EQ Board (Ass'y No. 209-FP1900)

Ref. No.	Part No.	Description
* IC		
IC501	160-H2C4042BP	TC4042BP TOSHIBA
IC502	160-HKA222330	KA22233 SAMSUNG
IC503,504	160-H2C4066BP	TC4066BP TOSHIBA
Remotecon Sensor	149-RP0001	Remote Preamp
* Diode		
D501-507	151-41481A	1N4148
D508-511	151-01760A	1SS176
D512,513	151-41481A	1N4148
D515-518	151-01760A	1SS176
D520-522	151-01760A	1SS176
D523-526	153-DLTL1274A	LED LTL-1274A
D528	153-DLTL1214A	LED TLT-1214A
R546	151-01760A	1SS176
* Transistor		
Q507	170-H58A733P	2SA733P NEC
Q508	170-H281015GR	2SA1015GR TOSHIBA
Q509	170-H58A733P	2SA733P NEC
Q520,521	170-H271815GR	2SC1815GR TOSHIBA
* Switch		
SW503-507	202-T08005KT	TACT SW SKHVBE3520-DK
S501-512	202-T08005KT	TACT SW SKHVBE3520-DK
S514-517	202-T08005KT	TACT SW SKHVBE3520-DK
S519-522	202-T08005KT	TACT SW SKHVBE3520-DK
S523	202-SV2285	Switch JTP-2285

4-3. DTS Board

Ref. No.	Part No.	Description
* Resonator		
CF901	130-419005	0X3 CSA4.19MG
* Capacitor		
C903	134-CF223Z6T	0.022uF 50V
C904,905	134-C7330J6T	33pF 50V
* IC		
IC900	160-H2C241N04	TMP47C241N-J504 TOSHIBA
* Transistor		
Q901	170-H97C143ZS	DTC143ZS ROHM
Q902	170-H97C143ES	DTC143ES ROHM
* Jack		
JK901	203-JT35100	MIC JACK JY-3510-01-010
JK902	203-HT03209B0	RCA JACK HTJ-032-09B0
JK903	203-JT35100	MIC JACK JY-3510-01-010

4-4. Speaker Sw Board

Ref. No.	Part No.	Description
R801,802	116-R50221JK4	220 OHM 1/2W
SW801	202-03N12C203	PUSH SW SPUN12C203-CP
SW802	202-03N19C606	PUSH SW SPUN19C606-CP
SW803	202-03N12A201	PUSH SW SPUN12A201-DK
HP801	203-JT6311IG	HP JACK JY-6311-01-030-G

4-5. LCD Display Board

Ref. No.	Part No.	Description
LCD001	245-LCH090ENX	LCD Display UTN-H090ENX

4-6. Loudness Board

Ref. No.	Part No.	Description
SW601	202-03N12A201	PUSH SW SPUN12A201-DK

4-7. LED Board



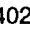



Ref. No.	Part No.	Description
D901	153-DEL204ITP8	LED EL204IT/P8 RED

4-8. Lamp Board

Ref. No.	Part No.	Description
LP501,502	240-PL12V60MA	Pilot Lamp 12V/60mA

RZ-2900

4-9. Main Board (Ass'y No. 209-MP1900EU/XX/UL/FT)

Ref. No.	Part No.	Description	Ref. No.	Part No.	Description
* Resistor			* Transistor		
R032	116-R50680JK4	68 OHM 1/2W	X001	131-C045000M	Crystal 4.5MHz
R114	116-R50101JK4	100 OHM 1/2W	Q001,002	170-H57C945P	2SC945P NEC
R142	116-R50101JK4	100 OHM 1/2W	Q003,004	170-H98A114ES	DTA114ES ROHM
R237,238	116-R50101JK4	100 OHM 1/2W	Q009,010	170-H97C144ES	DTC144ES ROHM
R241,242	116-R50101JK4	100 OHM 1/2W	Q011	170-H57C945P	2SC945P NEC
R317-320	116-R50332JK4	3.3K OHM 1/2W	Q012	170-H58A733P	2SA733P NEC
R321,322	116-R504R7JK4	4.7 OHM 1/2W	Q102	170-H571675L	2SC1675L NEC
R323,324	107-R2WR10JR	0.1 OHM 2W	Q303,304	170-H272878A	2SC2878A TOSHIBA
R326,327	116-R2W152JK5	1.5K OHM 2W	Q306	170-H98A144ES	DTA144ES ROHM
R329,330	116-R50221JK4	220 OHM 1/2W	Q309-311	170-H321209S	2SA1209S SANYO
R340	116-R1W332JK5	3.3K OHM 1W	Q312	170-H312911S	2SC2911S SANYO
R401	116-R50220JK4	22 OHM 1/2W (EU/UL/FT)	Q313-315	170-H57C945P	2SC945P NEC
R401	116-R1W182JK4	1.8K OHM 1W (XX/SS)	Q401	170-H310313E	2SD313E SANYO (XX/SS)
R403,404	116-R50151JK4	150 OHM 1/2W (UL Only)	Q402	170-H972060R	2SC2060R ROHM
FR301 	165-F50101JK4	100 OHM 1/2W	* IC		
FR302 	165-F504R7JK4	4.7 OHM 1/2W	IC001	160-H3C723055	LC7230-8355 SANYO
FR401,402 	165-F501R0JK4	1 OHM 1/2W	IC002	160-H6M78L05	NJM78L05 JRC
FR403 	165-F25330JK3	33 OHM 1/4W	IC101	160-H3A12660	LA1266 SANYO
* Capacitor			IC102	160-H3A34010	LA3401 SANYO
C002	134-CY103K6T	0.01uF 50V	IC202	160-H6M4558D	NJM4558D JRC
C008	134-CY103K6T	0.01uF 50V	IC203	160-H6M4558DX	NJM4558D-X JRC
C013,014	134-CF223Z6T	0.022uF 50V	IC204	160-H3C78210	LC7821 SANYO
C019	134-CY103K6T	0.01uF 50V	IC301	160-H3K41622	STK4162-II SANYO
C020	134-CB101K6T	100pF 50V	IC401	160-H6M78L06	NJM78L06 JRC
C101	134-CF223Z6T	0.022uF 50V	IC402	160-H6M7815A	NJM7815A JRC
C104-107	134-CF223Z6T	0.022uF 50V	IC403	160-H6M7915A	NJM7915A JRC
C109	134-CB101K6T	100pF 50V	* Doide		
C111,112	134-CB102K6T	0.001uF 50V	D006-011	151-01760A	1SS176
C113	134-CF223Z6T	0.022uF 50V	D012	151-41481A	1N4148
C119	134-CF223Z6T	0.022uF 50V	D013	151-01760A	1SS176
C124	134-CF223Z6T	0.022uF 50V	D014	151-41481A	1N4148
C126	134-CF223Z6T	0.022uF 50V	D016-018	151-01760A	1SS176
C135	134-CF223Z6T	0.022uF 50V	D019	151-41481A	1N4148
C150	134-CF223Z6T	0.022uF 50V	D301	151-41481A	1N4148
C153	134-C7390J6T	39pF 50V	D302-304	151-01760A	1SS176
C157	134-CF473Z6T	0.047uF 50V	D305	151-41481A	1N4148
C158	134-CF223Z6T	0.022uF 50V	D306,307	151-400211	1N4002
C160	134-CF223Z6T	0.022uF 50V	D308	151-01760A	1SS176
C201,202	134-CB101K6T	100pF 50V	D309	151-400211	1N4002
C203,204	134-CB331K6T	330pF 50V	D311	151-41481A	1N4148
C207,208	134-CB331K6T	330pF 50V (FTZ)	D401-403	151-01420A	1SS142
C207,208	134-CB101K6T	100pF 50V (UL/EU/SS/XX)	D404	151-01420A	1SS142 (XX/SS Only)
C225,226	134-CB101K6T	100pF 50V (FTZ)	D405 	158-W02M	W02M
C307,308	134-CB821K6T	820pF 50V	D406 	158-GBL02	GBL02
C309,310	134-CB221K6T	220pF 50V	D407	150-11301A	13BM (XX/SS)
C332	134-CF223Z6T	0.022uF 50V	D409	151-01420A	1SS142 (XX/SS)
C333,334	134-C74R7K6T	4.7pF 50V	VD101,102	157-D31SV149B	1SV149B

4-9. Main Board (Continue)

Ref. No.	Part No.	Description
* Other		
SFR101	101-104221	VR 100KB
SFR102	101-204224	VR 200KB
SFR103	101-104221	VR 100KB
TC101,102	125-611006	Trimmer 10P
CF101,102	132-SFE107MA5A	SFE 10.7MA5-A
CF103	130-CSB456F11	Resonator CSB456F11
CF104	132-SFU450B	SFU 450B
L001	141-LP3471KT	470uH
L101	220-433407	AM ANT Coil TWS-358-638
L102	220-215729	AM OSC Coil TWS-358-644
L103,104	141-LP3220KT	22uH
L105	141-LSL223K	Inductance 223K
T101	219-215012	AM IFT R22-E792A
T102	219-223114	FM DET(A) TWS-358-636
T103	219-223123	FM DET(B) TWS-358-637
T104	219-530351	Trap Coil S-174-077 (FTZ)
T401	⚠ 200-PT352900MEU	Back Up X'former EI-35 (FTZ/EU)
T401	⚠ 200-PT352900M	Back Up X'former EI-35 (XX/SS)
T401	⚠ 200-PT282900MUL	Back Up X'former EI-28 (UL)
RY401	221-OMIT112DM	Relay OMIT-SS-112DM
S001	202-SH12F23G6	Slide Sw 34-1206M-LBP-3N
JK001	203-HT308V11	Push Term. HSP-308V-11
JK002	203-HT312V2	RF Connector HSP-312V-02 (EU/FTZ)
JK002	203-HT304V12	Push Terminal Board HSP-304V-12 (SS/XX/UL)
JK003	203-JT10180	RCA Jack RJ-1018-010
JK004	203-JT10181	RCA Jack RJ-1018-090
JK005,006	203-JT10180	RCA Jack BJ-1018-010
F401	⚠ 147-0160T	Fuse "T" 1.6A/250V (FTZ/EU)
F401	⚠ 147-1350U	Fuse 3.5A/125V (UL)

4-10. VR Board

Ref. No.	Part No.	Description
R604	116-R50331JK4	330 OHM 1/2W
C606	134-CF223Z6T	0.022uF 50V
VR601	104-503254	VR 50KBx2 RK16312MS019-CP
VR602	102-104329	VR 100KW RK163111E370-CP
D601	150-40473A	MTZJ4.7C-T
IC601	160-H9A62080	BA6208 ROHM
Q601	170-H51D882P	2SD882P
Q602	170-H58A952L	2SA952L NEC

4-11. Vol. Sel. Board (XX/SS)

* Fuse

F401	⚠ 147-0315T	Fuse "T" 3.15A/250V
F402	⚠ 147-0160T	Fuse "T" 1.6A/250V

* Switch

SW400	202-HXW02541	Vol. Sel. Sw HXW0254-01-110
-------	--------------	-----------------------------

4-12. Speaker Terminal Board (FTZ)

* Resistor

R702,703	116-R1W100JK4	10 OHM 1W
----------	---------------	-----------

* Capacitor

C704	134-CB101K6T	100pF 50V
C705	134-CF473Z6T	0.047uF 50V
C706	134-CB101K6T	100pF 50V
C707	134-CF473Z6T	0.047uF 50V

* Jack

JK001	203-HT308V11	Push Term. HSP-308V-11
-------	--------------	------------------------

5. MAIN PARTS REPLACEMENT

5-1. Mechanism Ass'y

- 1) Remove 8 screws (24), and remove the Bonnet (52).
- 2) Remove 16 screws (65), and remove Front Board (23).
- 3) Remove 2 screws (64), to remove the Loudness Board (10).

- 4) Remove 3 screws (59), & 1 screw (62) to remove Main Board (36).
- 5) Remove 2 screws (59), to remove DTS Board (39).
- 6) Remove 2 screws (65), to remove volume selector Board (41).

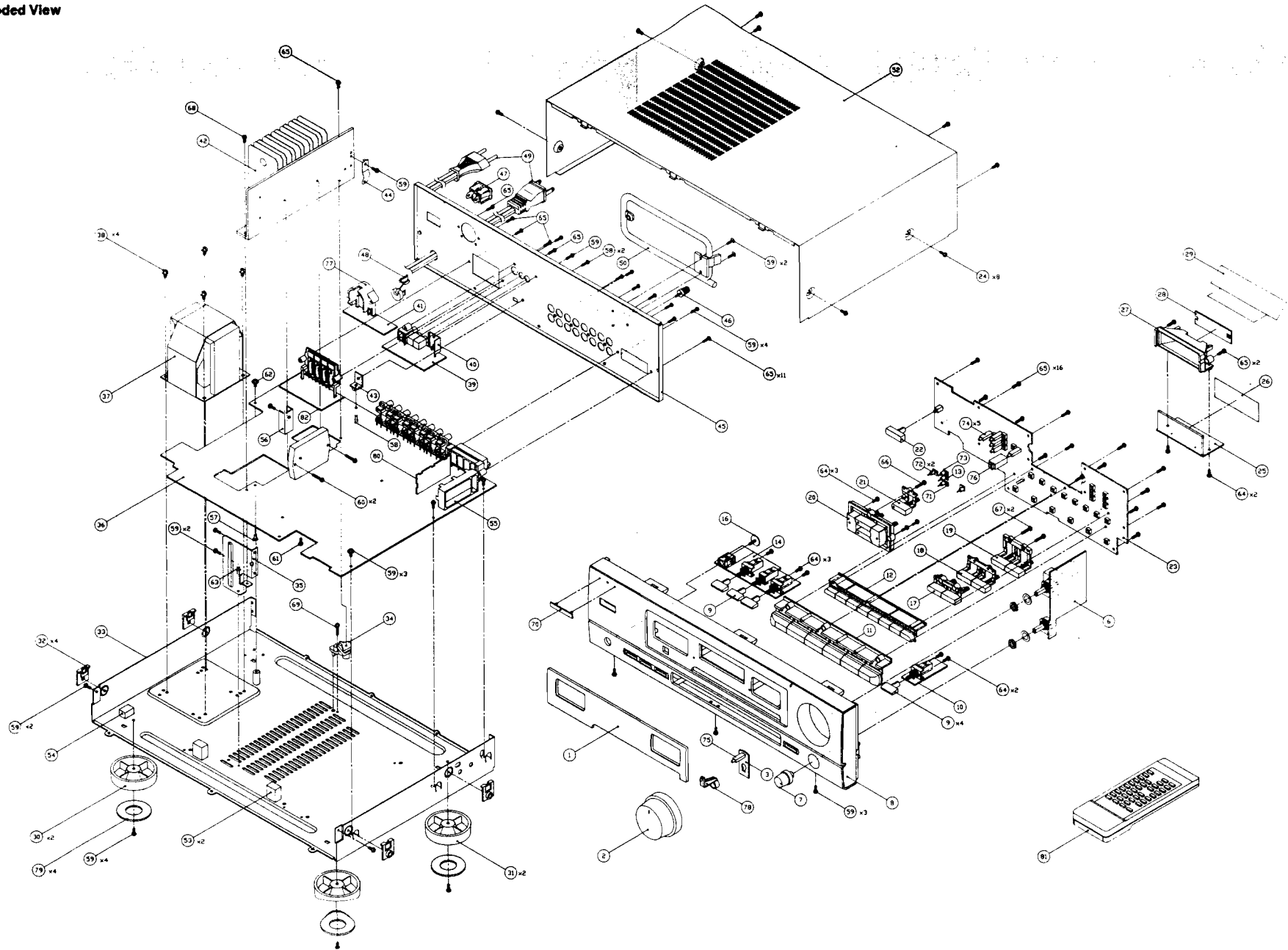
RZ-2900

6. PARTS LIST OF CABINET

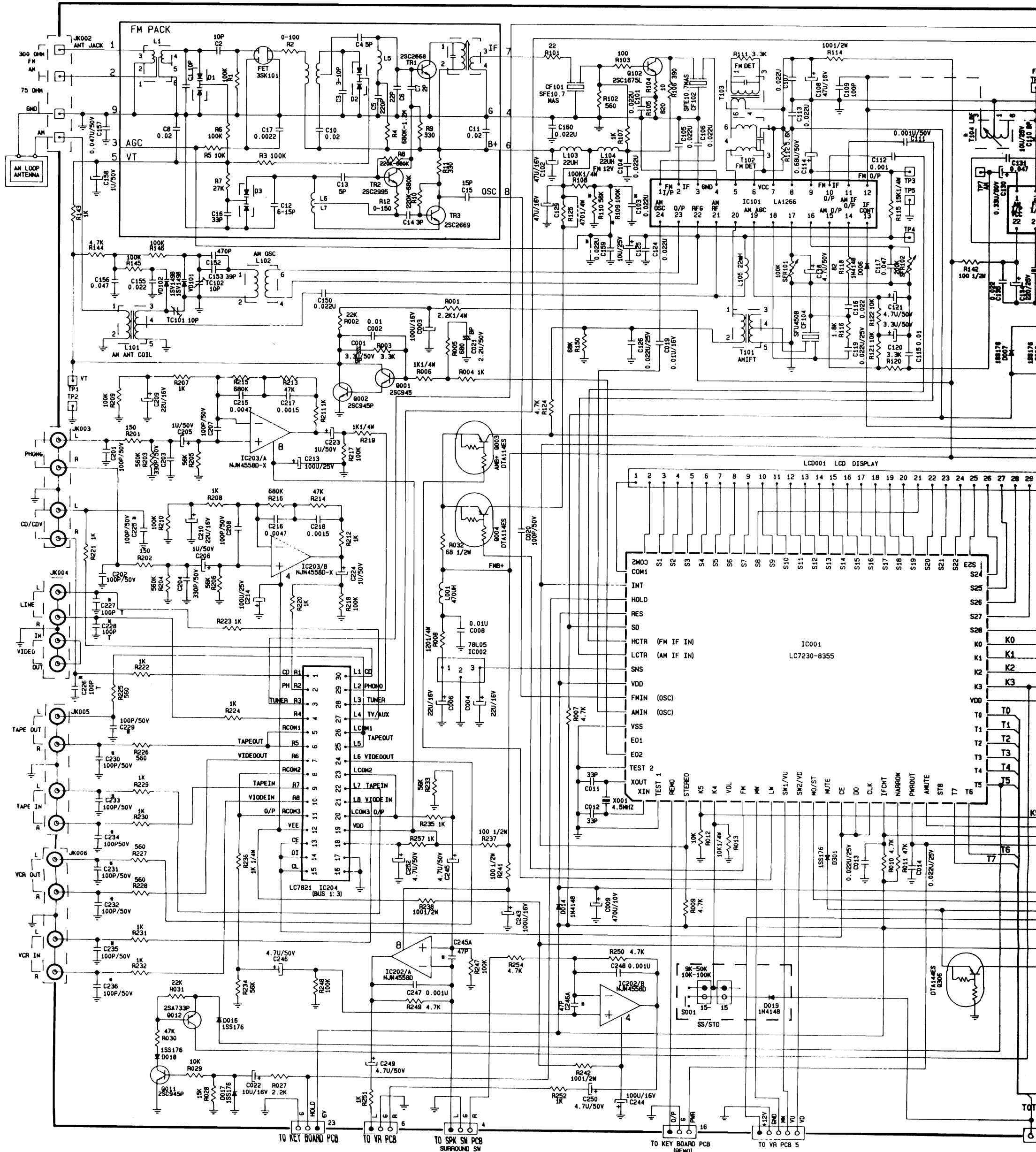
6-1. Cabinet

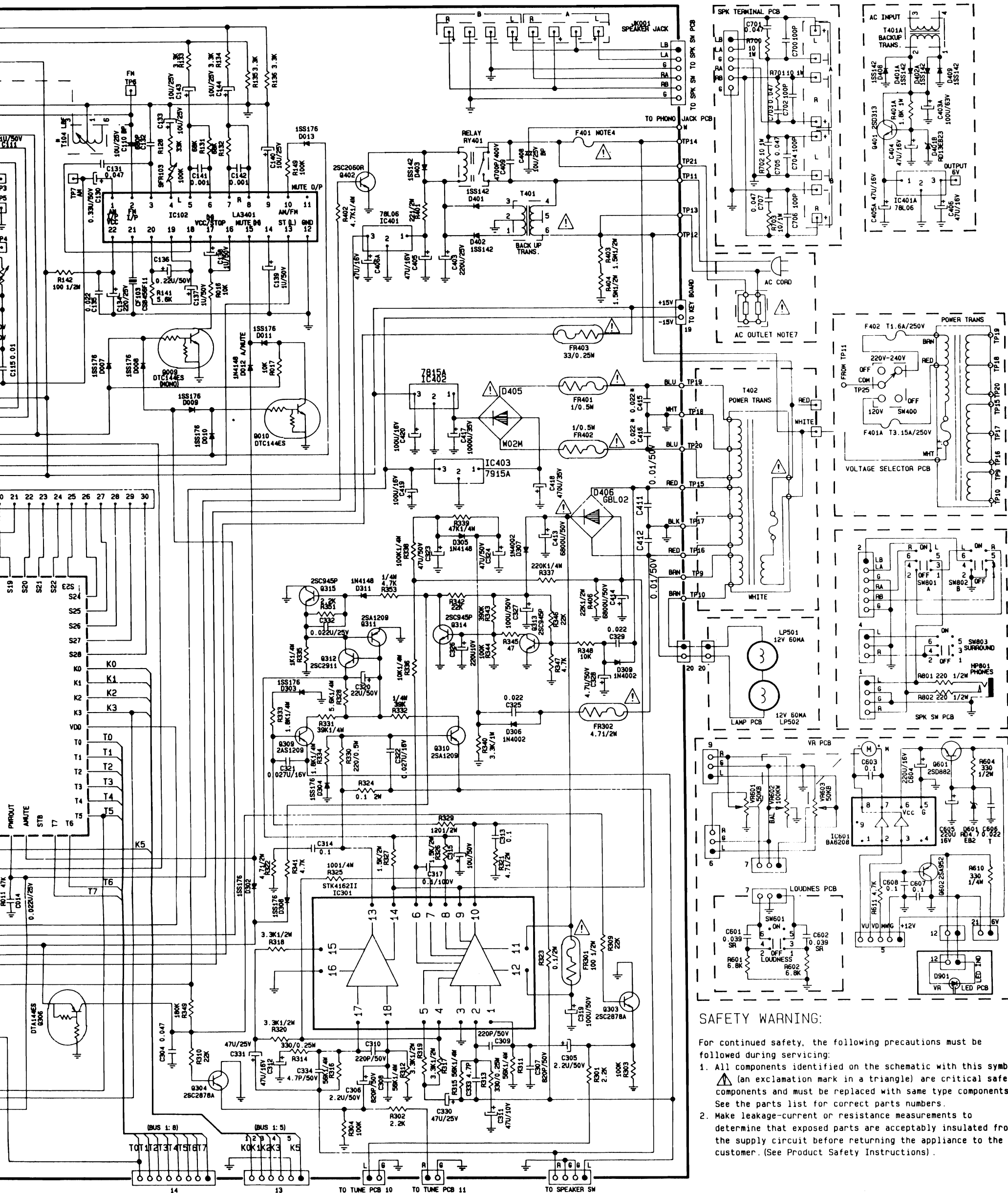
Ref. No.	Part No.	Description	Ref. No.	Part No.	Description
1	405-B2900	Display Window	45	350-BC2900FT	Rear Panel (FTZ)
2	400-G2900	Volume Knob		350-BC2900UL	Rear Panel (UL)
3	210-P2900-130	LED PCB		350-BC2900	Rear Panel (XX,SS)
6	210-P2900-120	Vol. PCB		350-BC2900EU	Rear Panel (EU)
7	400-H2900	Balance Knob	46	303-B420	Gnd Screw BT02-A
8	400-FP2900	Front Panel	47	△ 203-HJC030AI	AC Outlet HJC-030AI(P) (UL,XX,SS)
9	400-K2900	Push Knob	48	406-C420	AC Cord Bushing (SR4N-6)
10	210-P2900-150	Loudness PCB	49	△ 181-207002	Power Cord 7' SPT-2 (UL)
11	400-F2900	Function Knob	49	△ 181-G2060	Pwr Cord 7' CEE LP-21 (FTZ,EU)
12	400-I2900	Preset Button	49	△ 181-207021	AC Cord 7' VDE Wire SP-12N (XX,SS)
13	401-EI2900-M	EQ Indicator (M)	50	203-AJ20170A	AM Loop Ant AJ-2017-2A
14	210-P2900-160	Speaker Sw PCB	52	350-TC2900	Bonnet (XX,SS,UL)
16	306-B1301014	Screw P-Tite M3x10		350-TC2900EU	Bonnet (EU,FTZ)
17	400-C2900	Memo/Mode Button	53	429-A2900	Sponge
18	400-B2900	Manu/Band Button	54	429-B2900	Sponge
19	400-A2900	Tuning Knob	55	350-SC2900	Shield Case
20	400-D2900	EQ Button (4)	56	353-HS2900B	Heat Sink (XX,SS Only)
21	400-E2900	EQ Button (1)	57	401-PR030650	P-Rivet 3x6.5 (SR3-6.5)
22	400-J2900	Power Knob	58	302-B1300800	Machine Screw M3x8 (XX,SS Only)
23	210-P2900-300	Preset EQ PCB	59	307-B1300800	Screw B-Tite M3x8
24	307-B8301000	Screw B-Tite M3x10	60	307-B1301600	Screw B-Tite M3x16
25	210-P2900-140	LCD Display PCB	61	307-C1300800	Screw B-Tite M3x8
26	410-DF2900	Display Filter	62	302-C1300600	Machine Screw M3x6
27	400-DC2900	Display Chassis	63	305-B1300600	Screw S-Tite M3x6
28	210-P2900-170	Lamp PCB	64	306-B1300800	Screw S-Tite M3x8
29	322-LS2900	Light Shield	65	306-B1301000	Screw B-Tite M3x10
30	400-TF119B	Tuner Foot (B)	66	306-B1301200	Screw P-Tite M3x12
31	400-TF119A	Tuner Foot (A)	67	306-B1301400	Screw P-Tite M3x14
32	401-BW2900	Bonnet Washer	68	307-B1301000	Screw B-Tite M3x10
33	350-BB2900	Bottom Board	69	307-B1301400	Screw B-Tite M3x14
34	401-PH2900	PCB Holder	70	400-LG119	Logo (Sansui)
35	350-HB2900	Heat Sink Bracket	71	401-EI2900-B	EQ Indicator (B)
36	210-P2900-110	Main PCB	72	401-EI2900-RL	EQ Indicator (R/L)
37	△ 200-PT762900F	Pwr X'former EI-76(F) (XX,SS)	73	401-EI2900-T	EQ Indicator (T)
37	△ 200-PT762900FEU	Pwr X'former EI-76(F) (FTZ,EU)	74	401-LH2900-E	EQ Indicator (EQ)
37	△ 200-PT762900BUL	Power X'former EI-76(B) (UL)	75	401-LH2900-V	LED Holder (VL)
38	305-B1400600	Machine Screw M4x6	76	401-SH2900	Sensor Holder
39	210-P2900-180	DTS PCB	77	401-VC2900	Voltage Cover (XX,SS Only)
40	350-FP2900	Fixing Plate	78	401-VI2900	Volume Indicator
41	210-P2900-1B0	Vol. Sel. Sw PCB (XX,SS Only)	79	429-RP119	Rubber Pad
42	353-HS1900EU	Heat Sink (FTZ,EU)	80	210-P2900-210	FM Front End PCB (XX,SS,EU,UL)
	353-HS2900	Heat Sink (XX,SS,UL)	81	261-RC2900	Remote Transmitter
43	350-BBB2900	Back Board Brkt (XX,SS Only)	82	210-P2900-1A0	Speaker Terminal PCB (FTZ Only)
44	350-IH2900	Transistor IC Holder			

7. EXPLODED VIEW OF CABINET
7-1. Cabinet Exploded View




8. SCHEMATIC DIAGRAM 8-1. (Main Section)





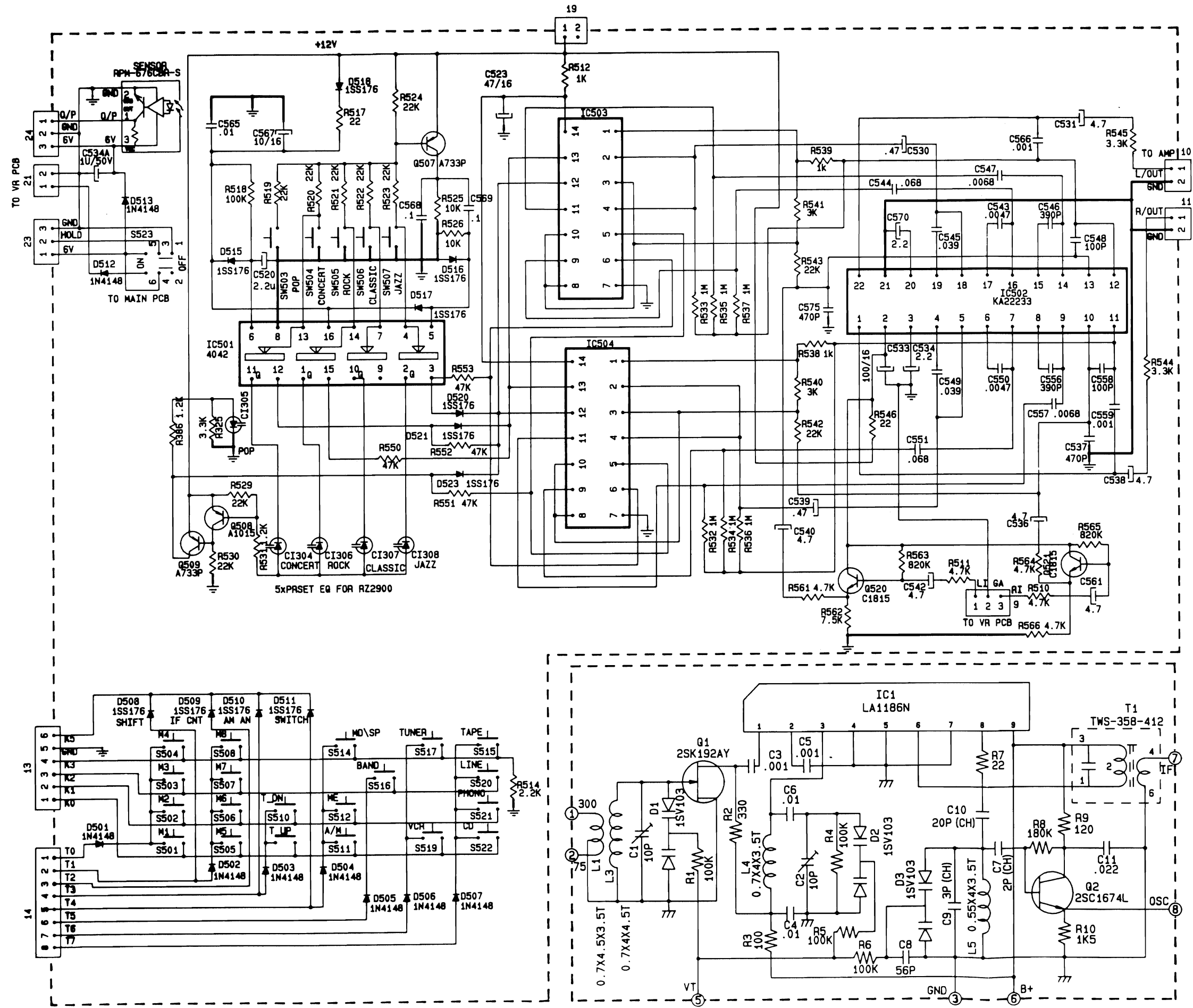
SAFETY WARNING:

For continued safety, the following precautions must be followed during servicing:

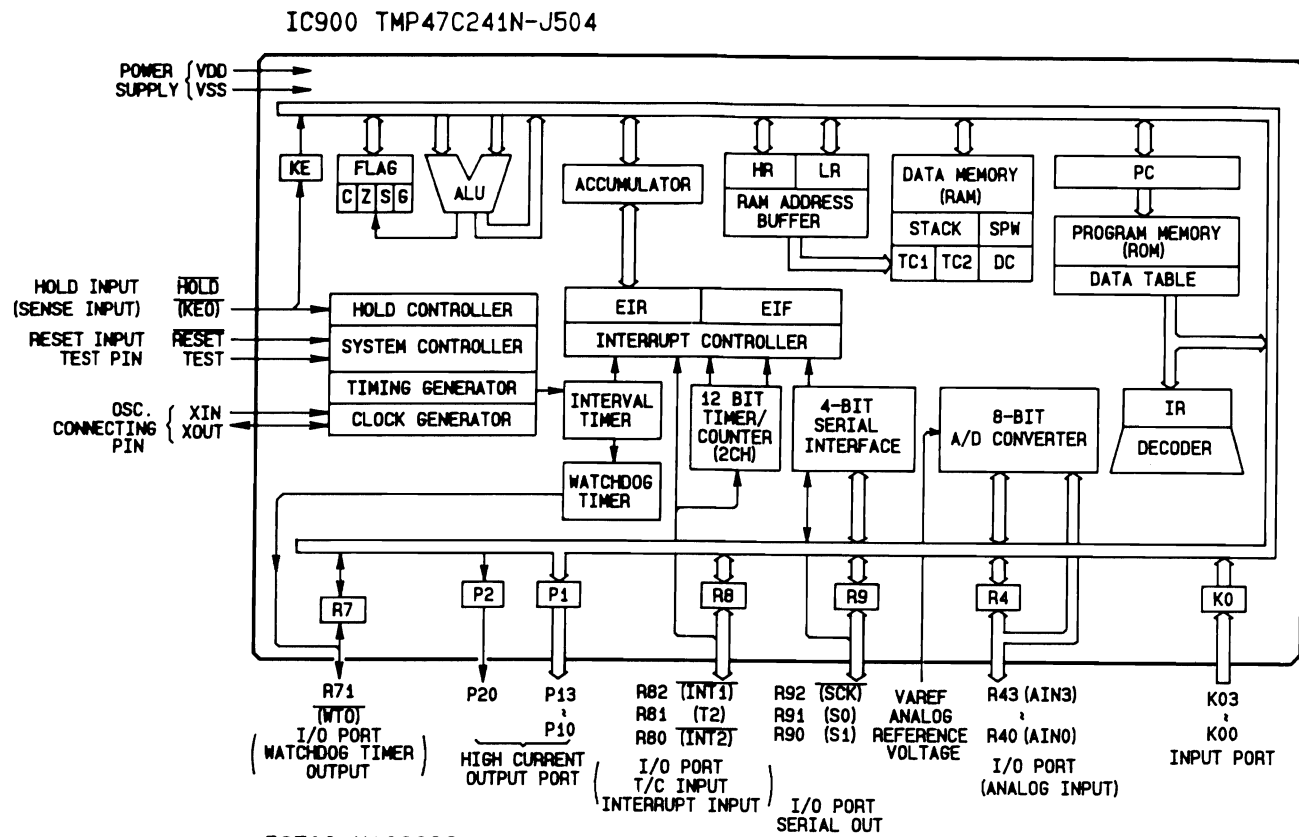
1. All components identified on the schematic with this symbol  are critical safety components and must be replaced with same type components. See the parts list for correct parts numbers.
2. Make leakage-current or resistance measurements to determine that exposed parts are acceptably insulated from the supply circuit before returning the appliance to the customer. (See Product Safety Instructions).

RZ-2900 RZ-2900

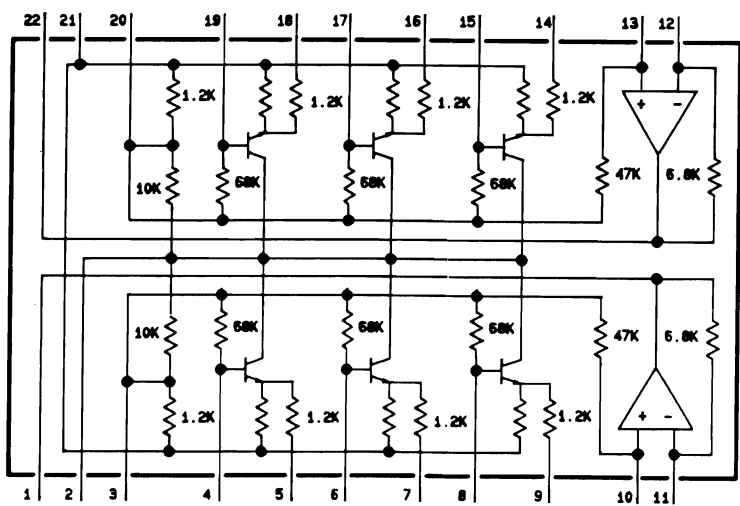
8-2. (Key Board Section)



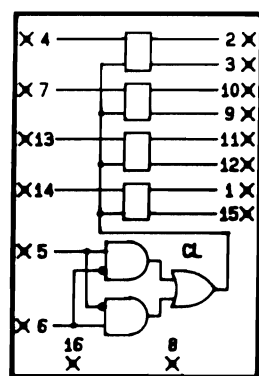
9. INTERIOR BLOCK DIAGRAM



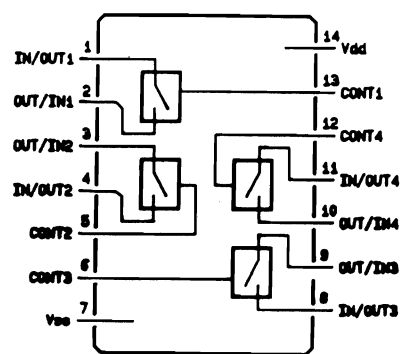
IC502 KA22233



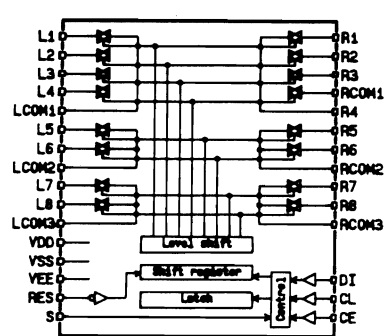
IC501 TC4042BP



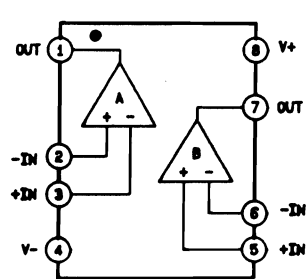
IC503/504 TC4066BP



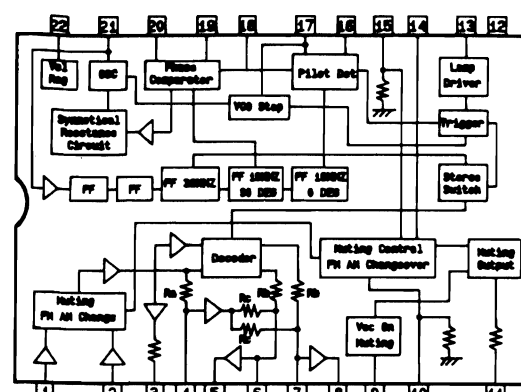
IC204 LC7821



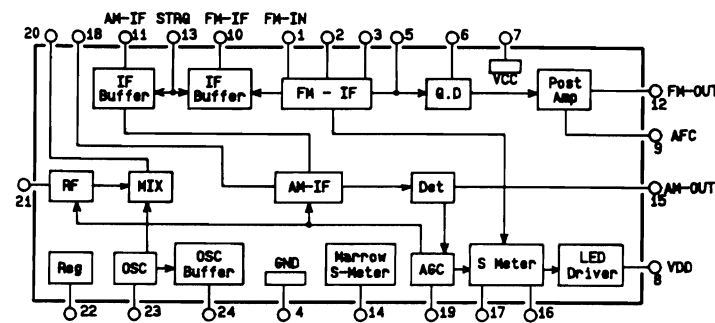
IC202 NJM4558D
IC203 NJM4558D-X



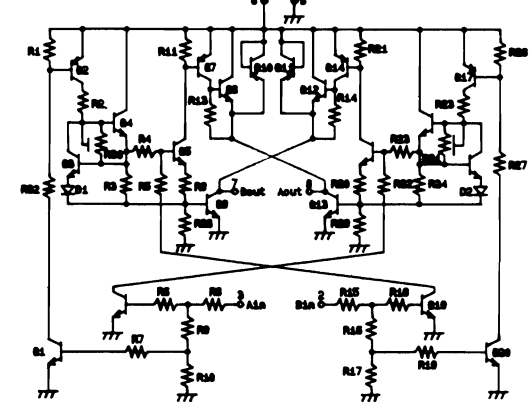
IC102 LA3401



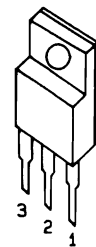
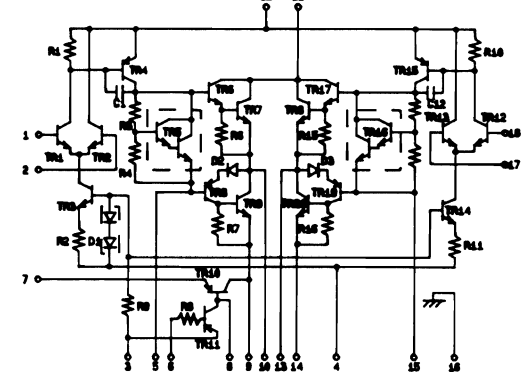
IC101 LA1266



IC601 BA6208

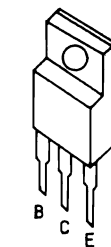


IC301 STK4162

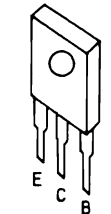


IC002 NJM78L05
IC402 NJM7815A

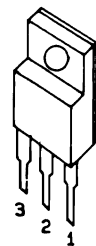
1. OUT
2. GND
3. IN



2SD313E

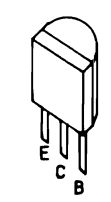


2SD882
2SA1209S
2SC2911S

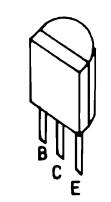


IC403 NJM7915A

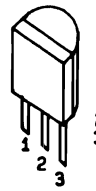
1. OUT
2. IN
3. COMMON



2SA733P
2SC945P
2SC1675L
2SC1815GR
2SA1015GR

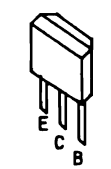


2SC2878A
2SC2060R
2SC1674L
2SA952L

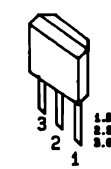


IC401 NJM78L06

1. OUT
2. GND
3. IN

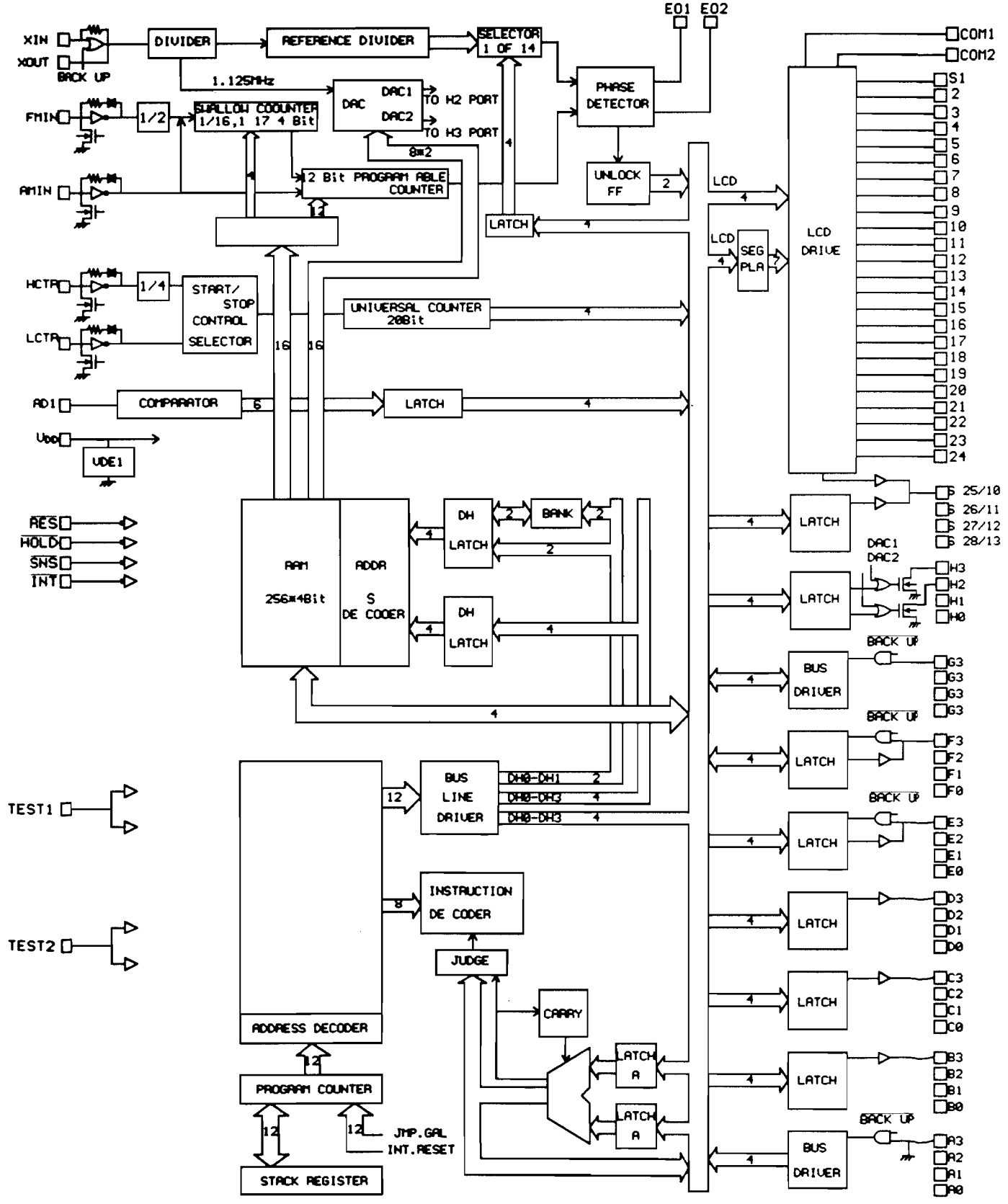


DTC143ZS
DTA114ES
DTC144ES



2SK192A-Y

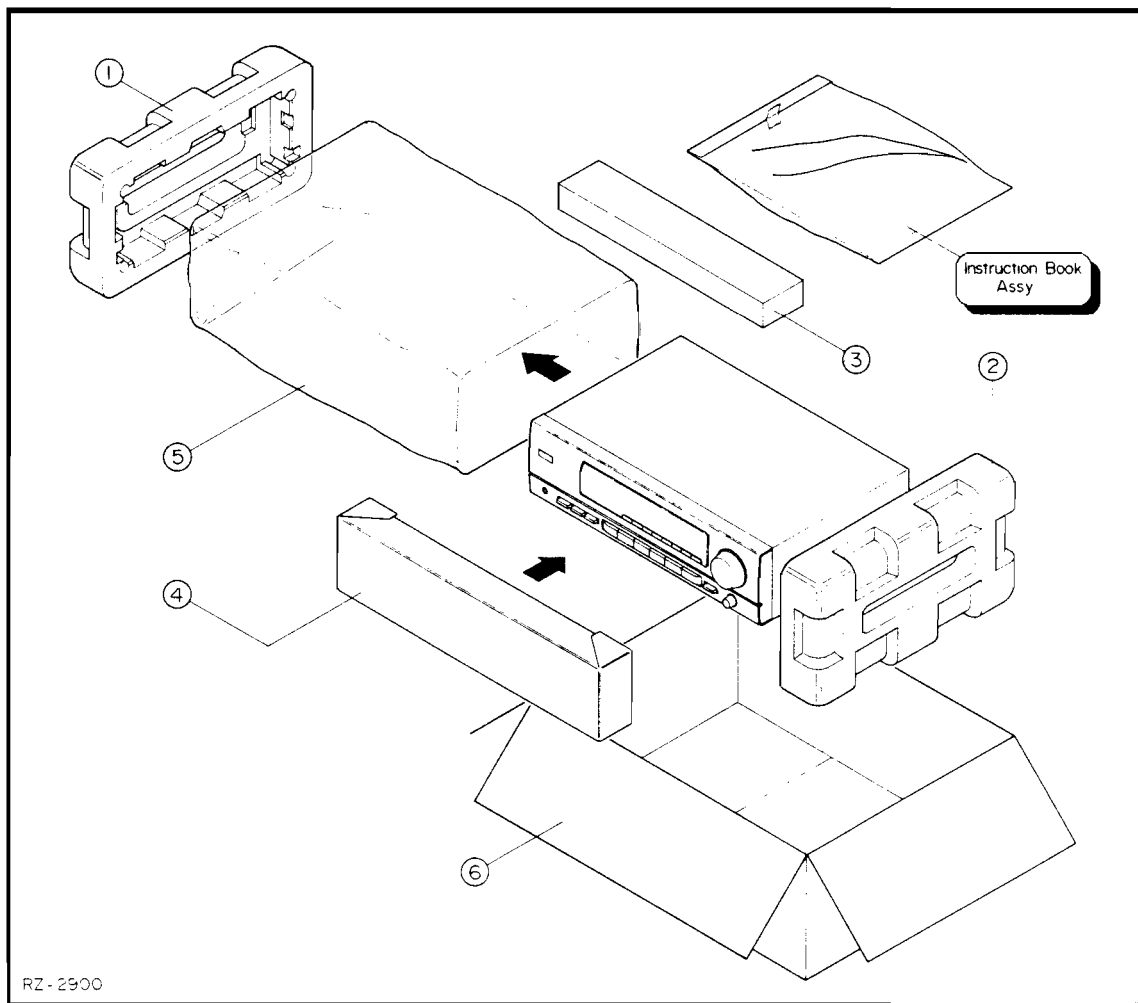
IC001 LC7230-8355



RZ-2900

10. PACKING LIST

Ref. No.	Part No.	Description
1	404-SB2900L	Snow Box (L)
2	404-SB2900R	Snow Box (R)
3	404-A992S	Polyfoam 348x75x40mm
4	434-A2900	Miramat 550x220x0.5t mm
5	402-A2900	PE Bag 600x500x0.05t mm
6	600-A2900UL	Export Carton 500x374x199mm



11. ACCESSORY LIST

Ref. No.	Part No.	Description
	612-A2900	Instruction Book (3L) (For XX,UL Model Only)
	612-B2900	Instruction Book (2L) (For SS Model Only)
	612-C2900	Instruction Book (7L) (For EU,FTZ Model Only)
	402-B219	Poly Bag (IB) 230x400x0.04t
	144-FA2900	FM Indoor Ant. (For SS,UL,XX Model Only)
	199-A410154	Mercury Free "AAA" 1.5V (GP24G)
	203-AJ20170A	AM Loop Ant. AJ-2017-2A (XX,SS,UL,FTZ Only)
	261-RC2900	Remote Transmitter
	614-S07500630	CD Warranty Card (For SS,UL,XX,EU Model Only)
	614-S27905700	Warranty Card Sansui (For UL,XX Model Only)